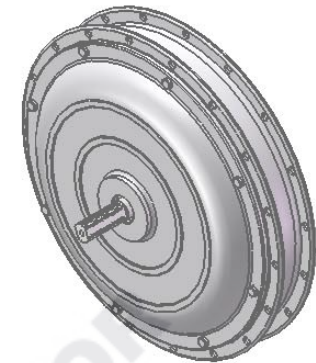
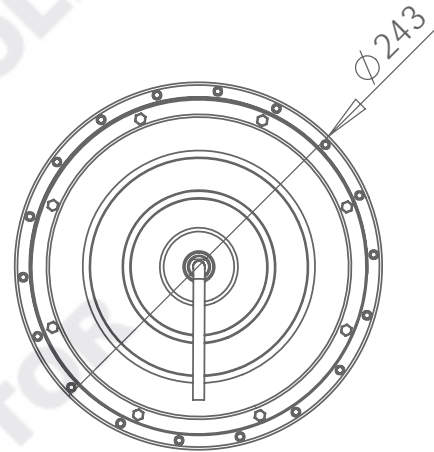
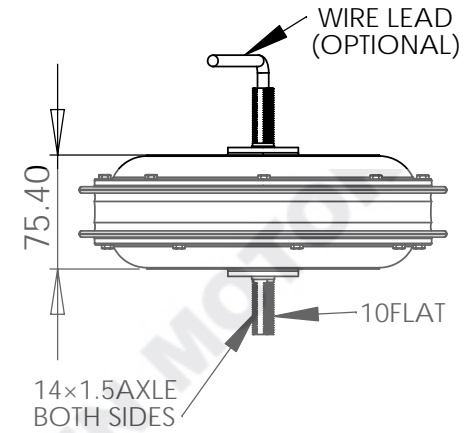
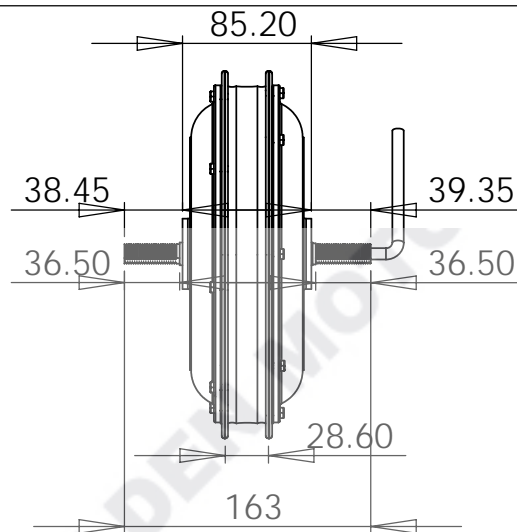



MOTOR	Motor Type:	VDC, Brushless, Spoke
	Max. Efficiency Voltage:	48 VDC
	Continuous Duty Watts:	1000W @48 VDC
	Continuous Duty Amps:	15A @48 VDC
	Motor Leads:	Standard: 1100mm (OPTIONAL)



NOTE:
 1. ALL DIMENSIONS NOT SHOWN ARE THAT THE MANUFACTURES DISCRETION.
 2. ANY CHANGES MADE IN MATERIAL OR DIMENSIONS MUST BE APPROVED BY GOLDENMOTOR.

REL#:	BY: TOM	DATE: 30/09/08
 GOLDEN MOTOR CHANGZHOU, JIANGSU P.R. CHINA 213000		
SCALE: NONE	USED ON:	DRWN BY: TOM
SHEET: 1 OF 1	ELECTRIC BICYCLE	CHKD BY: TOM
TITLE: 48V/1000W FRONT WHEEL MOTOR		
MATRL:	PART NO.:	