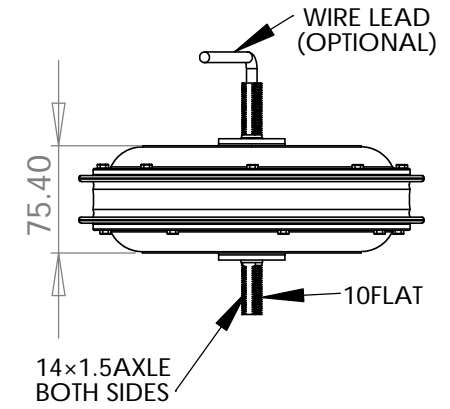
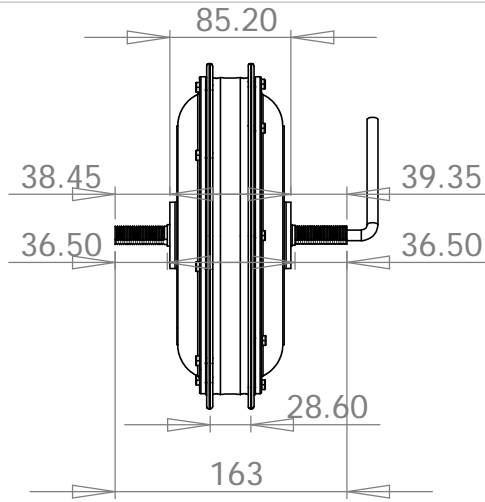
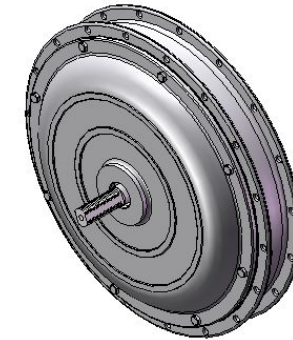
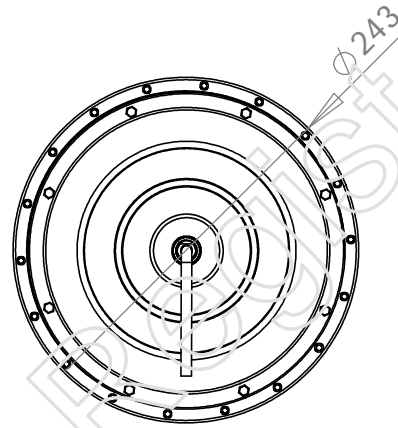


MOTOR	Motor Type:	VDC,Brushless,Spoke
	Max.Efficiency Voltage:	48 VDC
	Continuous Duty Watts:	1000W @48 VDC
	Continuous Duty Amps:	15A @48 VDC
	Motor Leads:	Standard:1100mm (OPTIONAL)




RUN:anticlockwise

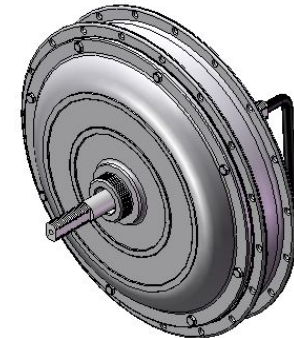
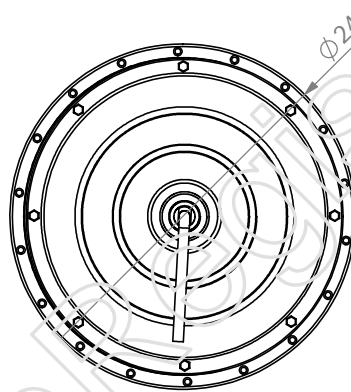
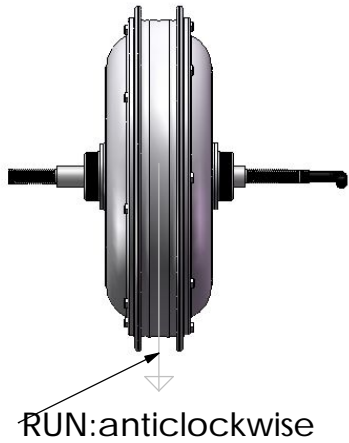
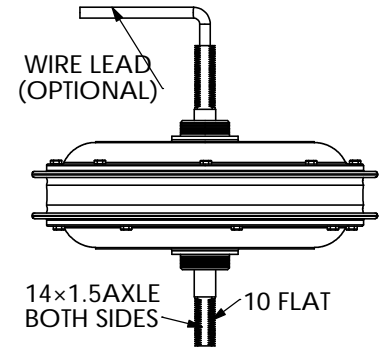
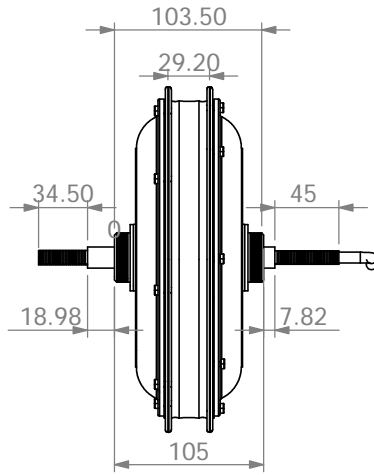


NOTE:


- 1.ALL DIMENSIONS NOT SHOWN ARE THAT THE MANUFACTURES DISCRETION.
- 2.ANY CHANGES MADE IN MATERIAL OR DIMENSIONS MUST BE APPROVED BY GOLDENMOTOR.

REL#:	BY: TOM	DATE: 30/09/08
 GOLDEN MOTOR CHANGZHOU,JIANGSU P.R.CHINA 213000		
SCALE: NONE	USED ON:	DRWN BY: TOM
SHEET: 1 OF 1	ELECTRIC BICYCLE	CHKD BY: TOM
TITLE: 48V/1000W FRONT WHEEL MOTOR		
MATRL:	PART NO.:	

MOTOR	Motor Type:	VDC,Brushless,Spoke
	Max.Efficiency Voltage:	48 VDC
	Continuous Duty Watts:	1000W @48 VDC
	Continuous Duty Amps:	15A @48 VDC
	Motor Leads:	Standard:1100mm (OPTIONAL)



NOTE:
 1.ALL DIMENSIONS NOT SHOWN ARE THAT THE MANUFACTURES DISCRETION.
 2.ANY CHANGES MADE IN MATERIAL OR DIMENSIONS MUST BE APPROVED BY GOLDENMOTOR.

REL#:	BY: TOM	DATE: 30/09/08
 GOLDEN MOTOR CHANGZHOU,JIANGSU P.R.CHINA 213000		
SCALE: NONE	USED ON:	DRWN BY: TOM
SHEET: 1 OF 1	ELECTRIC BICYCLE	CHKD BY: TOM
TITLE: 48V/1000W REAL WHEEL MOTOR		
MATRL:	PART NO.:	